



*Leaders in high density parking equipment*

## Double Parking System

*Mechanical vehicle storage systems*



- *Valet parking system*
- *Cost effective solution*
- *Free-standing (no ground bolts)*
- *Conforms to USA seismic codes*
- *Interior/Exterior use*
- *Full safety features*
- *MEA Approved -*
- *ISO Compliant*



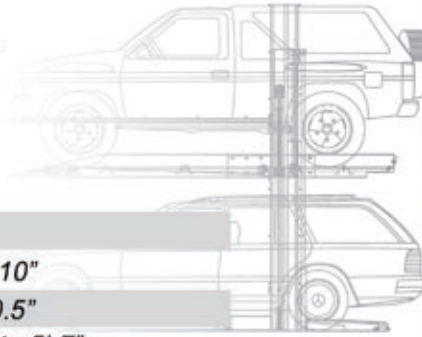
Website: [www.parkplusinc.com](http://www.parkplusinc.com)



Double Parking System Mechanical vehicle storage systems

# Technical Specifications

## DP005 and DP006

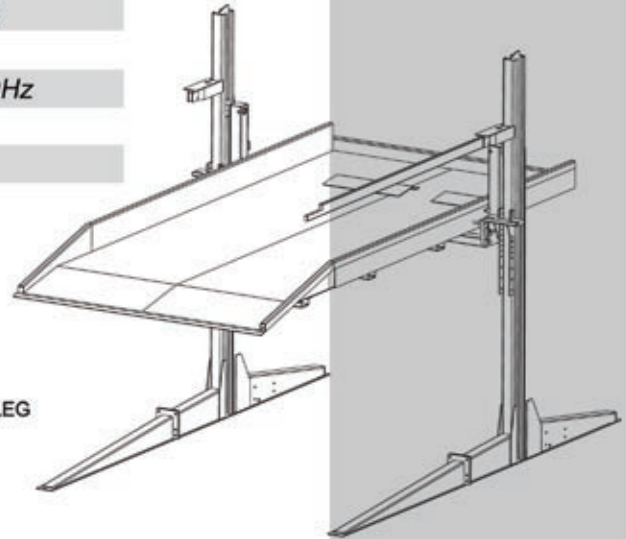


### EQUIPMENT DIMENSIONS:

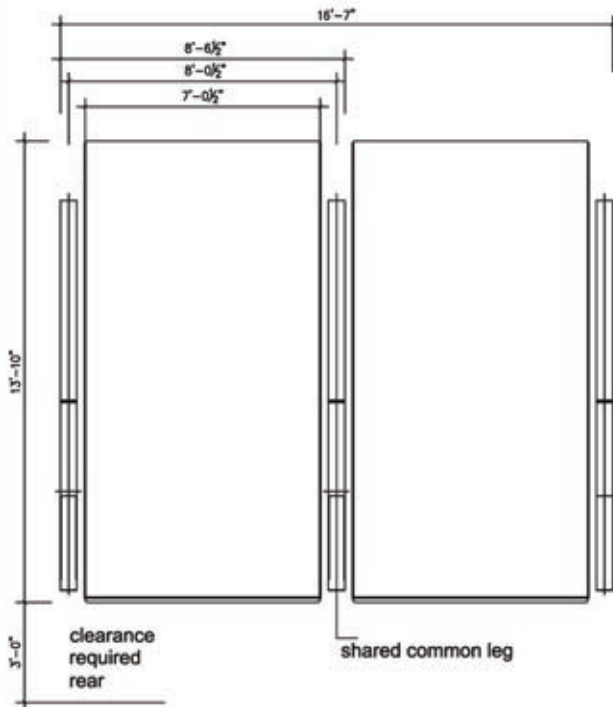
Length	13'-10"
Width	8'-0.5"
Platform Height DP005	4'-11" to 5'-7"
Platform Height DP006	5'-11" to 6'-7"
Overall Height (H3)	11'-7"
Certified lifting capacity	6000 lbs

LIFTING SPEED	13 ft/min
OPERATION	Hydraulic/Electric
CONTROL	Push Button
ELECTRICAL POWER	110-220V 3-phase 60Hz

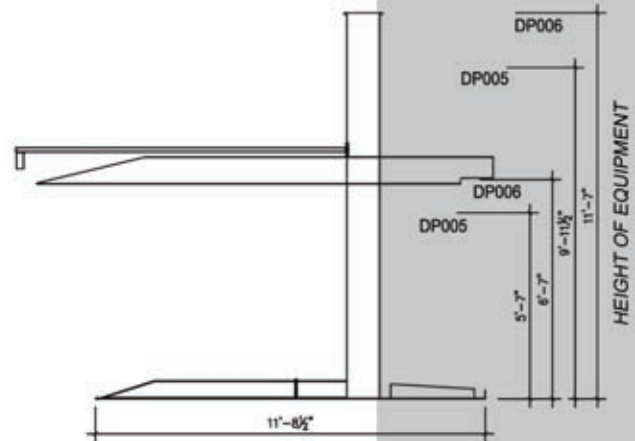
\*Specifications subject to change without prior notice



ALL UNITS AVAILABLE AS SINGLE STANDING OR SHARED WITH COMMON LEG



DP005 AND DP006  
SCHEMATIC PLAN



DP005 AND DP006  
SCHEMATIC ELEVATION

Double Parking System Mechanical vehicle storage systems



Website: [www.parkplusinc.com](http://www.parkplusinc.com)

480 Main Avenue, Unit 1, Wallington, New Jersey 07057 USA  
Toll Free #: 800-966-5509 Telephone #: (973) 574-8020 Fax #: (973) 574-8030  
email: [info@parkplusinc.com](mailto:info@parkplusinc.com)