



*Leaders of high density parking equipment*



## Double Parking System

*Mechanical vehicle storage systems*



- Valet parking system
- Cost effective solution
- Free-standing (no ground bolts)
- Conforms to USA seismic codes
- Interior/Exterior use
- Full safety features
- MEA Approved -  
No building permit required for NYC
- ISO Compliant
- Patented cantilever 2-post design



Website: [www.parkplusinc.com](http://www.parkplusinc.com)

Double Parking System Mechanical vehicle storage systems

# Technical Specifications

## DP 003

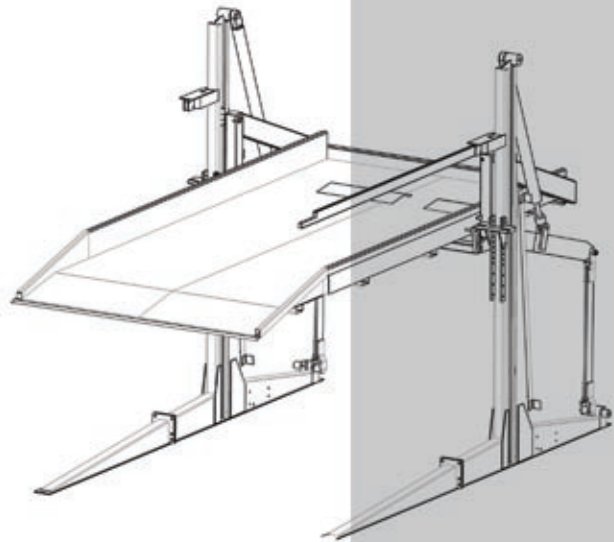
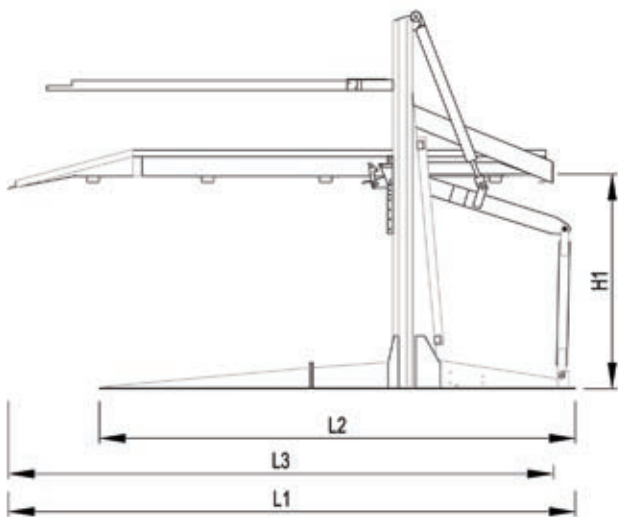
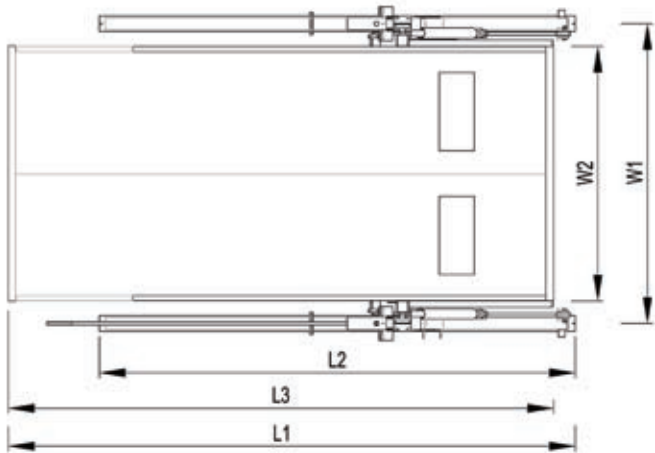
### EQUIPMENT DIMENSIONS

Length	L1	14'-3"
	L2	12'-0"
	L3	13'-6" (Platform)
Width	W1	7'-11" to 8'-3" (Centre to centre)
	W2	6'-8" to 7'-0" (Platform)
Height	H1	4'-9" to 6'-7" (Platform)
Clearance requirements		10'-6" to 13'-6"
Weight		2860 lbs
Certified lifting capacity		6000 lbs

**OPERATION** Hydraulic with manual emergency lowering

**ELECTRIC POWER** 3 phase/ 60Hz

\*Specifications subject to change without prior notice



Double Parking System Mechanical vehicle storage systems



Website: [www.parkplusinc.com](http://www.parkplusinc.com)

480 Main Avenue, Unit 1, Wallington, New Jersey 07057 USA  
 Toll Free #: 800-966-5509 Telephone #: (973) 574-8020 Fax #: (973) 574-8030  
 email: [info@parkplusinc.com](mailto:info@parkplusinc.com)